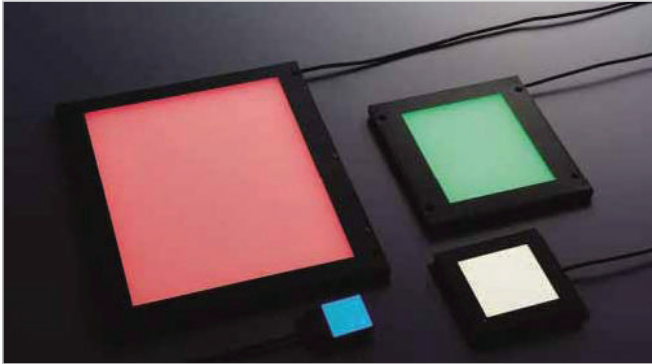


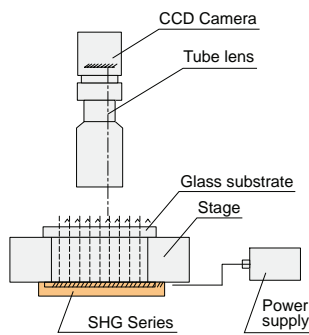
Flat Luminescent LED

Uniform flat-panel illuminator. Useful as a backlight for transmission illumination due to its inherent thinness.

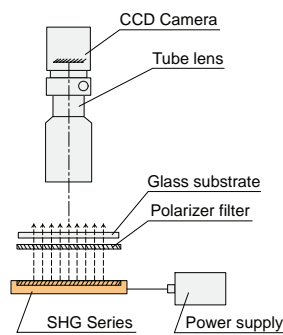
SHG series



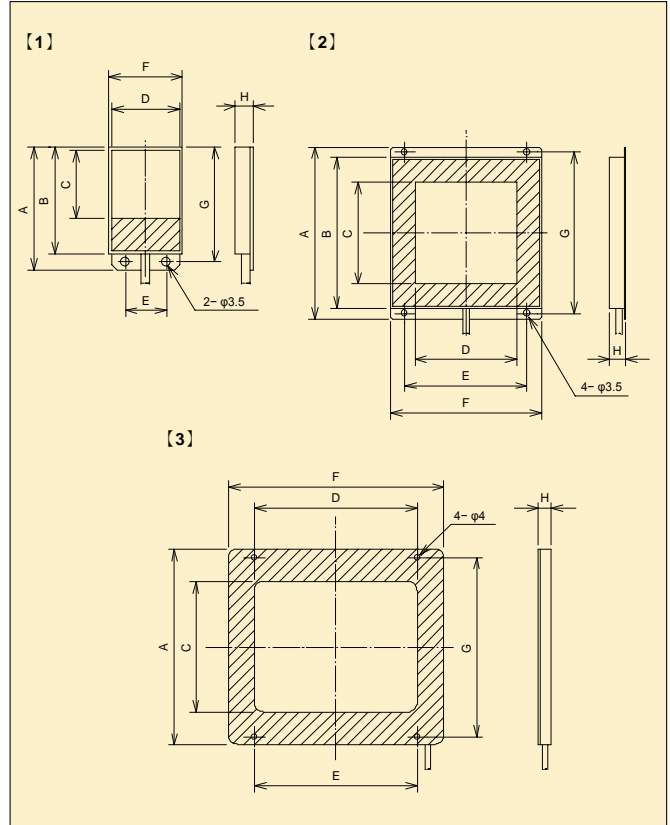
[Sample Construction]



Example of when used as a backlight mounted on stage



Example of when used as a polarized backlight



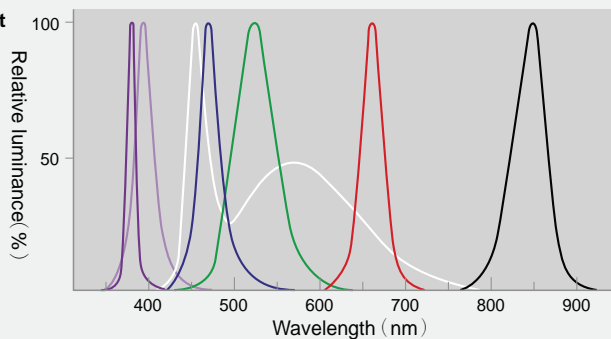
Specification

Model#	Dimension (mm)								LED number	Power consumption (W)	Color	Drawing
	A	B	C	D	E	F	G	H				
SHG-25-25R	45	38	25	25	15	26	42	7.0	6	0.3	Red	[1]
SHG-25-25W	45	38	25	25	15	26	42	7.0	6	0.5	White	
SHG-30-41R	52	42	30	41	30	42	47	7.0	10	0.5	Red	
SHG-30-41W	52	42	30	41	30	42	47	7.0	40	1.2	White	
SHG-50-50R	84	74	50	50	60	74	79	8.5	48	2.0	Red	[2]
SHG-50-50W	84	74	50	50	60	74	79	8.5	48	3.9	White	
SHG-80-100R	122	—	80	100	100	134	110	8.0	84	3.4	Red	[3]
SHG-80-100W	122	—	80	100	100	134	110	8.0	84	6.8	White	
SHG-100-100R	142	—	100	100	100	134	130	8.0	96	3.9	Red	
SHG-100-100W	142	—	100	100	100	134	130	8.0	96	7.7	White	
SHG-135-180R	177	—	135	180	180	214	166	8.0	144	5.8	Red	
SHG-135-180W	177	—	135	180	180	214	166	8.0	144	11.6	White	
SHG-150-200R	190	—	150	200	200	232	180	8.0	168	6.8	Red	
SHG-150-200W	190	—	150	200	200	232	180	8.0	160	13.5	White	

Note : Blue (B) , Green (G) LED are also available.

Additional Note

■ Spectrum of light



Color	Peak
White	—
Ultraviolet	375nm
Blue	470nm
Green	525nm
Red	660nm
Infra red	850nm