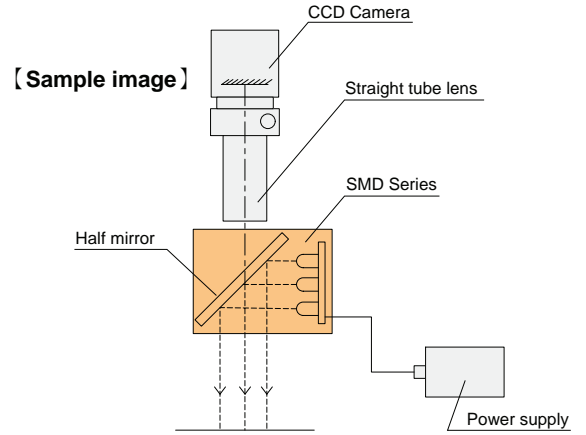
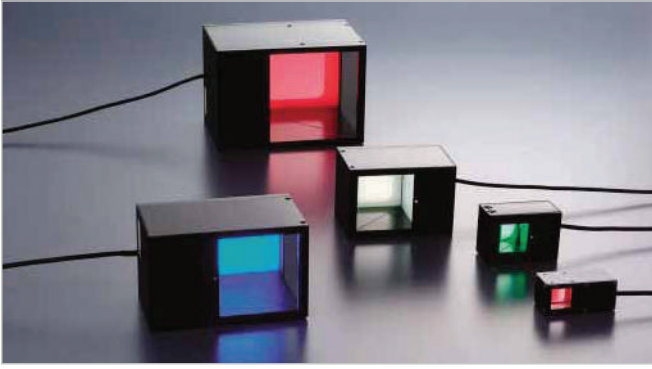


Surface Reflection Coaxial LED



SMD series

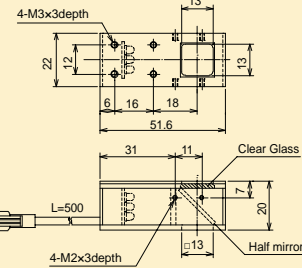
This illuminator can be installed on the front of the lens tube; Useful for lens systems that are not equipped for coaxial illumination or lens systems of low magnification which cover a wide field of view.

Specification

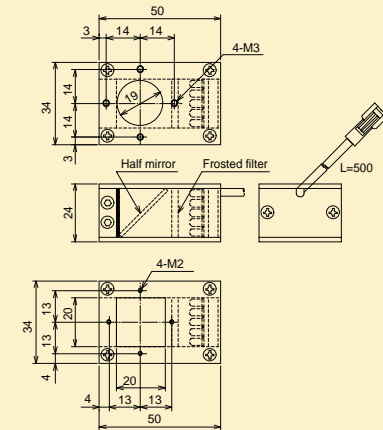
Model#	Number of LED	Power consumption (W)	Color
SMD-13R	9	0.8	Red
SMD-13W	9	0.8	White
SMD-20R	25	1.2	Red
SMD-20W	25	2.2	White
SMD-40R	64	2.7	Red
SMD-40W	49	4.1	White
SMD-50R	100	4.8	Red
SMD-50W	81	6.5	White
SMD-70R	168	6.8	Red
SMD-70W	168	13.5	White

Note : Blue (B), Green (G) LED are also available.

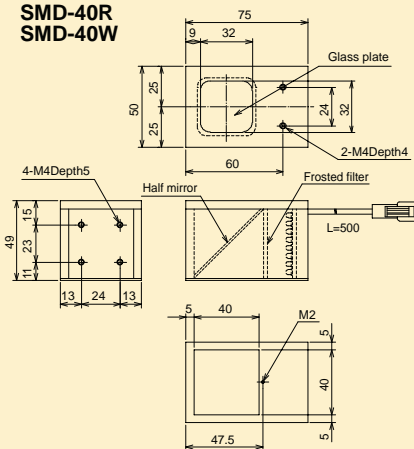
SMD-13R SMD-13W



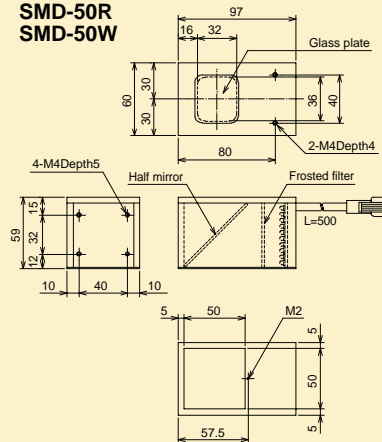
SMD-20R SMD-20W



SMD-40R SMD-40W



SMD-50R SMD-50W



SMD-70R SMD-70W

