

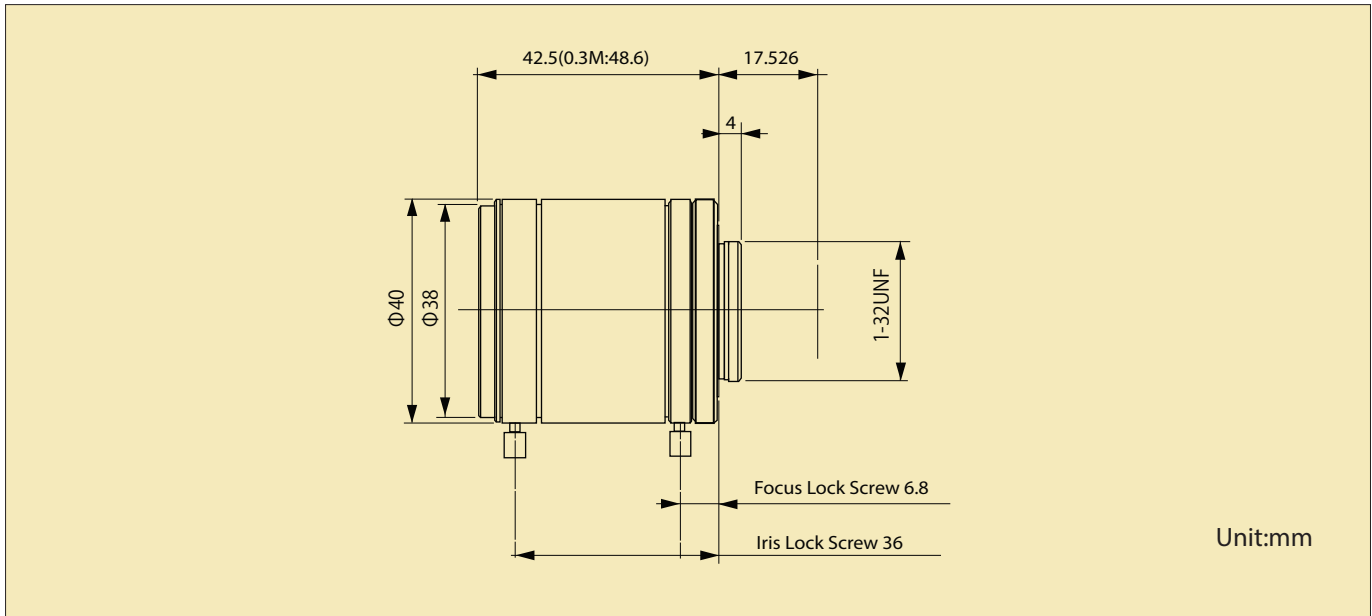
STV-35-MPIR-1.1inch

MACHINE VISION



STV-35-MPIR-1.1inch

SWIR Lens (900 to 1,900nm)



Specification -

Image Format	1.1-inch
Focal Length	35mm
Relative Aperture	F=1:1.4
Iris Range	1.4 to 22
Angle Field of View	20.9°(H) x 16.0°(V)
Objective wave length	900 to 1,900nm
TV Distortion	-0.3% (@Far)
M.O.D.	0.3m(@900nm)
Back Focal Length	18.5mm
Flange Back	17.526mm
Operation	Focus : Manual Iris : Manual
Lens Mount	C-mount
Filter Screw	35.5mm P=0.5
Dimensions	$\Phi 40$ x 42.5mm (max.)
Weight	129g
Operating Temperature	-10 to +50

For more information Contact US

Seiwa Optical America Inc 3042 Scott Blvd Santa Clara, CA 95054

Tel : +408-844-8008 **Fax :** +408-844-8944 **E-mail:** info@seiwaamerica.com **http://**www.seiwaamerica.com