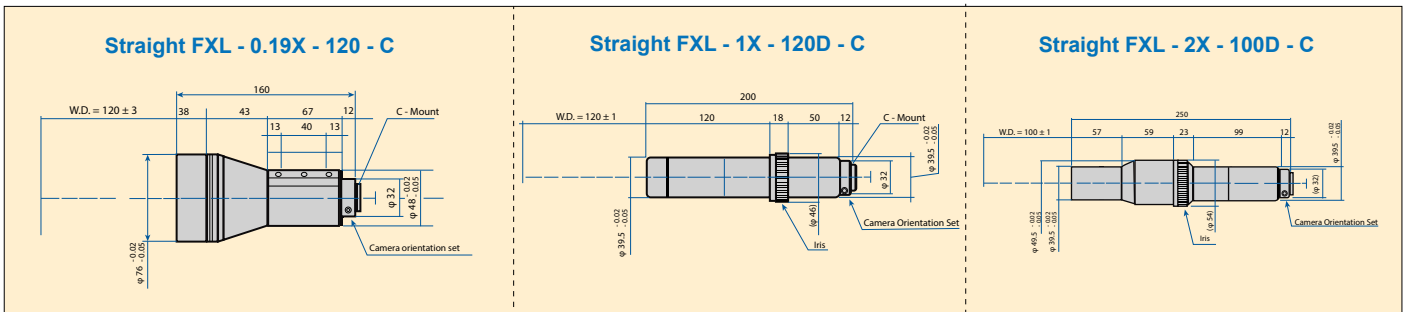
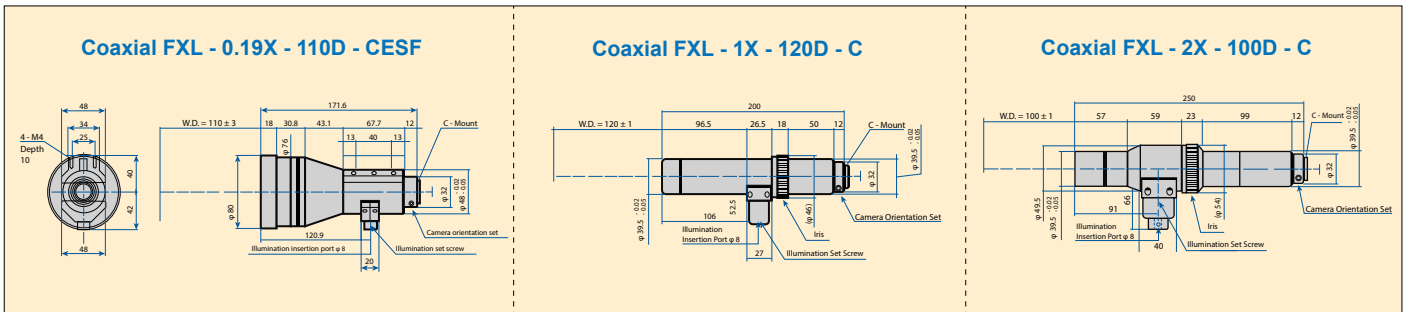


Coaxial Type / Straight Type FXL Series Lens

Telecentric lens compatible with 5M pixel camera. Ideal for capturing image in wide field, and high - resolution alignment. Over 100mm WD enables inspection both with incident lighting and coaxial lighting.

It is suitable for high precision alignment. There is a spotlight between the sample surface. Straight and coaxial type are available.



Specifications

Model #	Coaxial	FXL - 0.19x - 110D - CEFS	FXL - 1x - 120D - C	FXL - 2x - 100D - C
	Straight	FXL - 0.19x - 120C	FXL - 1x - 120 - C	FXL - 2x - 100 - C
Magnification		0.19X	1X	2X
Working Distance		coaxial: 100mm / straight: 120mm	120mm	100mm
Focal Depth		13.3	560µm	320µm
Distortion		0.02% or less	0.05% or less	0.05% or less
Resolution LP/mm		48 µm	192 LP/mm	340 LP/mm
Resolution Power		21 µm	5.2µm	2.9µm
N.A.		0.017	0.072	0.13
F Number		6	7	8
Camera Mount	C - MOUNT			
Equivalent CCD	under 2/3 inch camera			
Model #	Coaxial	580g	410g	540g
	Straight	480g	360g	490g