

# Compact Zoom Tube MSZ - 0745



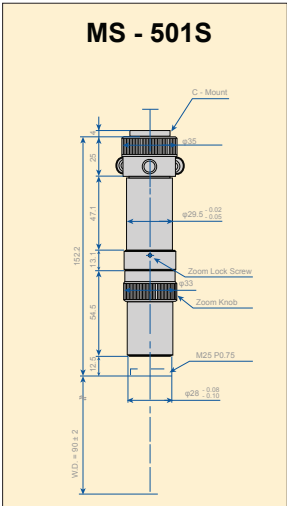
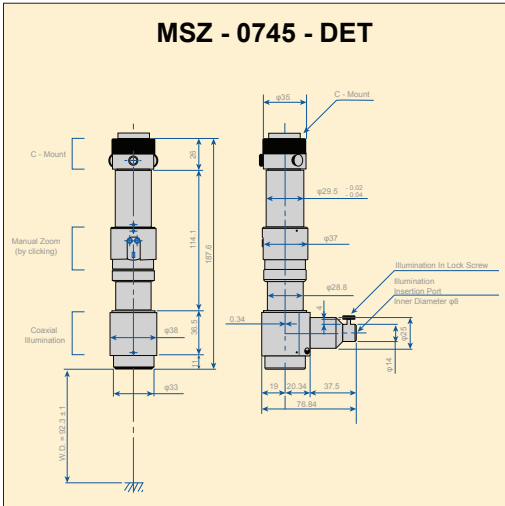
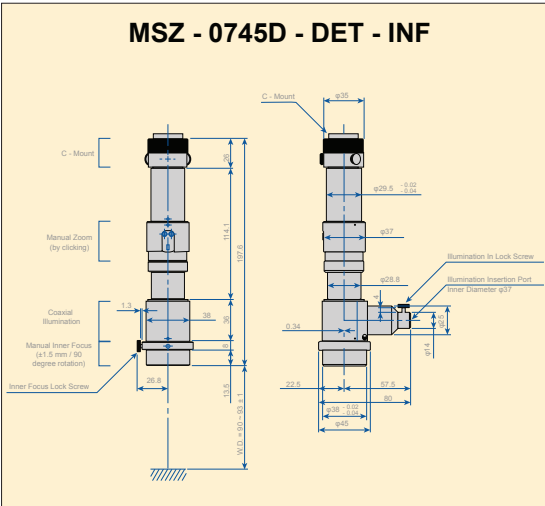
## MSZ - 0745

0.7X ~ 4.5X Zoom Tube

This series of compact zoom tube lens are ideal for maintaining consistent inspection levels of different magnifications.

Detent options can set discrete zoom values. This feature is also provided for inner focus.

\*Magnification of MS - 501S can be changed with optional conversion lens.



### Specifications

Model	MSZ - 0745 - DET (- INF)		MSZ - 0745D - DET (- INF)		MS - 501S	
Magnification	0.7 X	4.5 X	0.7 X	4.5 X	0.7 X	4.5 X
Coaxial Illumination	x		x		x	
Working Distance	92.3 mm		92.3 mm		90 mm	
Focal Depth	1.8 mm	0.13 mm	1.8 mm	0.13 mm	1.8 mm	0.13 mm
Distortion	0.50%	0.10%	0.50%	0.10%	0.50%	0.10%
Resolution LP / mm	86 LP / mm	204 LP / mm	86 LP / mm	204 LP / mm	86 LP / mm	204 LP / mm
Resolution Power	11.6 μm	4.9 μm	11.6 μm	4.9 μm	11.6 μm	4.9 μm
NA	0.029	0.069	0.029	0.069	0.029	0.069
F Number	12.8	32.6	12.8	32.6	12.8	32.6
Camera Mount	C Mount		C Mount		C Mount	
Equivalent CCD	1/2 inch camera		1/2 inch camera		2/3 inch camera	
Detent Click	o		o		o	
Accessory	2mm Hex Wrench		2mm Hex Wrench		2mm Hex Wrench	
Weight	440 / (- INF : 470g)		470 / (- INF : 500g)		385g	



SEIWA OPTICAL AMERICA INC

3042 Scott Blvd  
Santa Clara, CA 95054

Tel: +408 - 844 - 8008

: +408 - 844 - 8944

<http://www.seiwaamerica.com>